

Pattern from
Judy Crossman

Walker Tote

Material List

18 x 54 inch wide home decorator or upholstery fabric - right side

18 x 54 inch wide home decorator or cotton fabric for liner

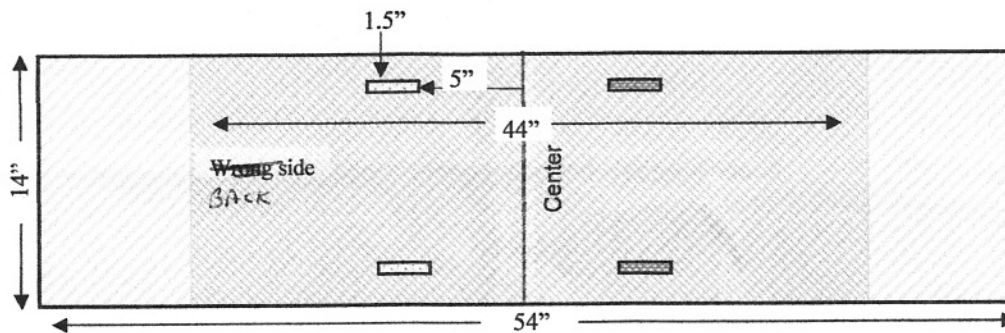
2 yards extra wide double fold tape (purchased or self made) optional

1/3 yard Velcro cut into four 3 inch pieces (2 sets)

Assembly:

Place Upholstery or decorator fabric face down. Mark center

Measure 5" from center and 1 1/2 inches in from side. Sew Velcro on lengthwise



Place front and liner right sides together and sew around outside edge leaving space for turning. After sewing - turn right side out and sew opening shut.

To make pocket:

Lay flat with Velcro side down. Fold two ends up 11 inches towards the front center. Sew sides of pockets to now front of fabric. Stitch down center of pockets, backstitching at top. If you would like to make a more finished side, sew double fold tape along sides.

When folded with pockets on top and Velcro inside on back, lay over bar of walker and press Velcro strips together. You now have a two sided/ four pocket walker tote.

This is a large tote and if you want to make it smaller, just cut your fabric measurements smaller.